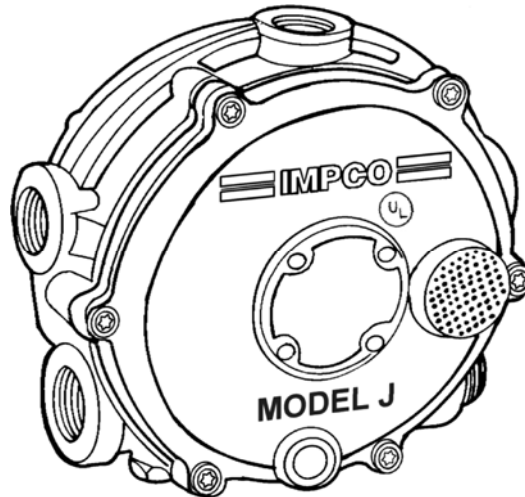


MODEL J REGULATOR

REGULATORS



MODEL J REGULATOR



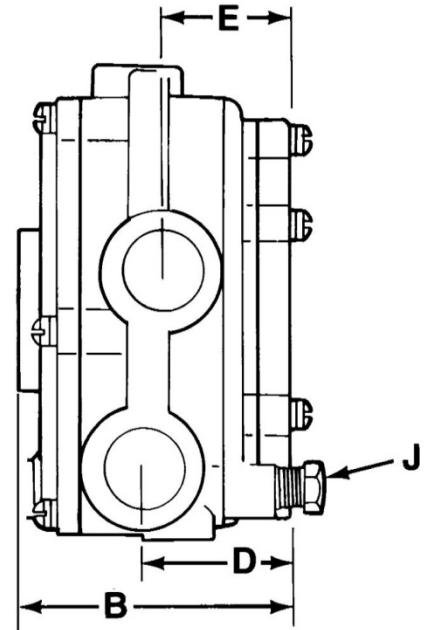
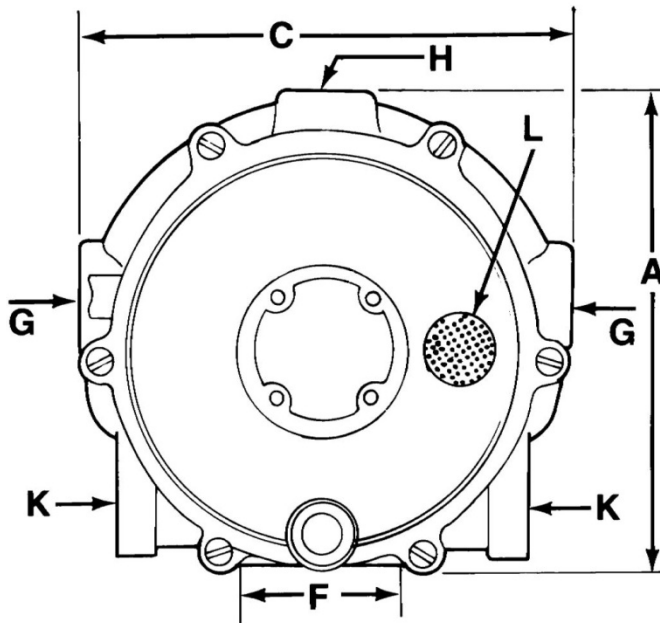
DESCRIPTION

The Model J regulator/vaporizer delivers reliable performance and pressure output consistency. Its reliability, especially with questionable fuel quality, has made it an industry standard for many years.

Two vapor outlet pressures are available. The standard JB blue provides -1.5" w.c. (0.37 kPa). The optional JO provides -0.5" w.c. (0.12 kPa). The port size and mounting pad locations are identical to the Cobra regulator and include a primary pressure test port and "left" or "right" fuel outlets.

SPECIFICATIONS

Fuel Type	LPG Liquid/Vapor
Inlet Pressure	
Maximum	312 psi (21.51 Bar)
Minimum Pressure	30 psi (207 kPa)
Nominal Outlet Pressure	
Standard (blue spring)	-1.5" w.c. (-0.37 kPa)
Optional (orange spring)	-0.5" w.c. (-0.12 kPa)
HP/kW	100 hp (75 kW)
Operating Temperature Range	-40°F to +250°F (-40°C to +121°C)
Fuel Filtration	40 micron
Heating Chamber Source	Required for liquid LPG
Mounting Position	Vertical recommended. Horizontal position can be used when fuel contamination can be controlled with HD-5 or HD-10 specified LPG fuel.
Applications	Mobile, stationary, industrial and automotive
Certification	UL (AU1502) Inquire for specific ECE approval

DIMENSIONS


A	B	C	D	E	F	G	H	J	K	L
OVERALL HEIGHT	OVERALL DEPTH	OVERALL WIDTH	BACK OF CONVERTER TO CTR OF FUEL OUTLET	BACK OF CONVERTER TO CTR. OF WATER OUTLET	MOUNTING HOLES CTR. TO CTR.	COOLANT INLET AND OUTLET (NPT)	FUEL INLET (NPT)	PRIMARY TEST PORT (NPT)	FUEL OUTLET (NPT)	VENT BALANCE LINE CONNECTION (NPT)
108mm (4.25")	73.00mm (2.88")	118mm (4.63")	41.3mm (1.63")	34.9mm (1.38")	41.3mm (1.63")	3/8"	1/4"	1/8"	1/2"	1/8"

MODEL	SECONDARY DIAPHRAM	OUTLET PRESSURE	CHECK VALVE	NOTES
JB	AD1-26 (BLACK HYDRIN)	Neg. 0.37 kPa (Neg. 1.5" H2O)	NO	
JB-2	AD1-27 (SILICONE)	Neg. 0.37 kPa (Neg. 1.5" H2O)	NO	
JB-3	AD1-27-5 (FLUOROSILICONE)	Neg. 0.37 kPa (Neg. 1.5" H2O)	NO	
JB-2ULC	AD1-27 (SILICONE)	Neg. 0.37 kPa (Neg. 1.5" H2O)	NO	CANADA
JB-C-140	AD1-26 (BLACK HYDRIN)	Neg. 0.37 kPa (Neg. 1.5" H2O)	YES	
JB-C-2	AD1-27 (SILICONE)	Neg. 0.37 kPa (Neg. 1.5" H2O)	YES	
JB-C-725	AD1-26 (BLACK HYDRIN)	Neg. 0.37 kPa (Neg. 1.5" H2O)	AF4-14883	
JB-L-377	AD1-26 (BLACK HYDRIN)	Neg. 0.37 kPa (Neg. 1.5" H2O)	NO	PLUG, L.H. CLARK
JB-R	AD1-26 (BLACK HYDRIN)	Neg. 0.37 kPa (Neg. 1.5" H2O)	NO	
JO	AD1-26 (BLACK HYDRIN)	Neg. 0.12 kPa (Neg. 0.5" H2O)	NO	
JO-2	AD1-27 (SILICONE)	Neg. 0.12 kPa (Neg. 0.5" H2O)	NO	

MODEL J REGULATOR

REGULATORS

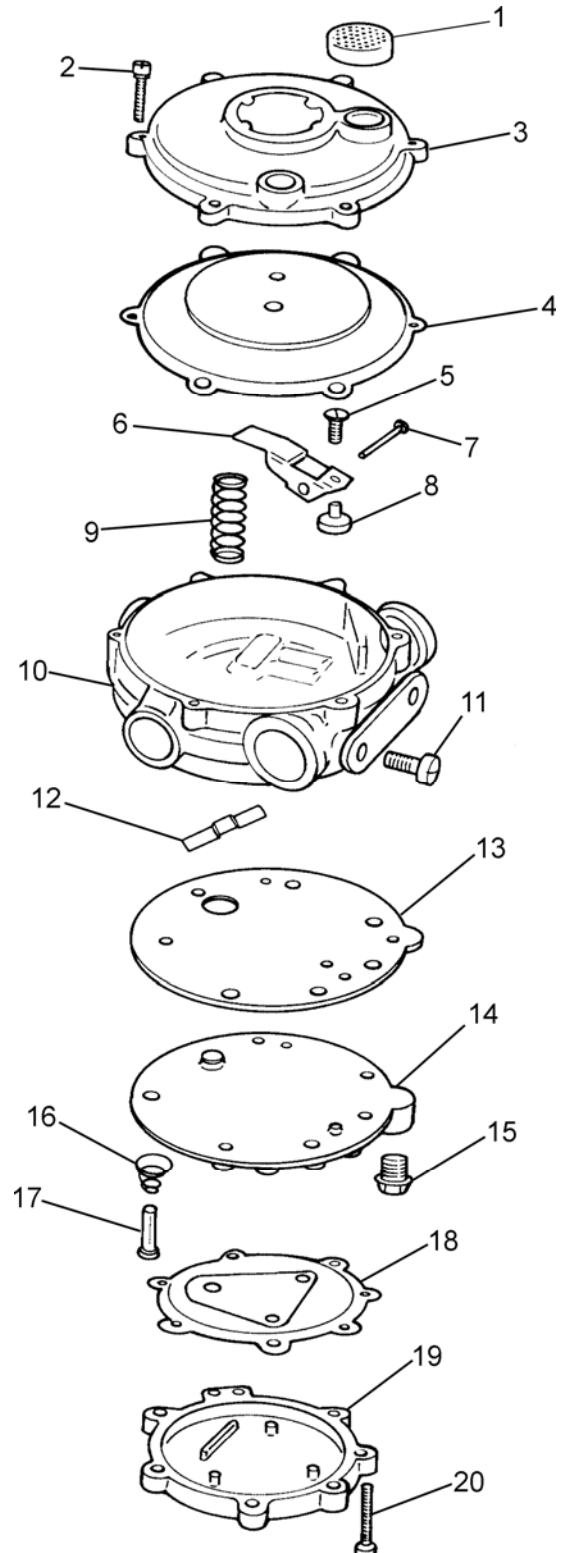


COMPONENTS

ITEM #	PART #	DESCRIPTION
1	NSS	Screen, atmospheric vent
2	NSS	Screw, 8-32 x 7/8" Torx style (6)
3	NSS	Cover Assy Secondary
	NSS*	Diaphragm ass'y, secondary, Hydrin (RK-J, RK-J-C & RK-JC-734)
4	NSS*	Diaphragm Assy, Secondary, Silicone (RK-J-2)
	NSS*	Diaphragm Assy, Secondary, Silicone (RK-J-3)
5	NSS	Screw, 8-32 x 1/2" Torx style
6	L1-37	Lever, Secondary
7	NSS	Pin, Secondary Fulcrum
8	S4-27*	Seat, Secondary
	S2-35	Spring, blue secondary, Neg. 0.37 kPa (Neg. 1.5" H2O), standard
9	S2-38	Spring, orange, secondary, Neg. 0.12 kPa (Neg. 0.5" H2O), optional
10	NSS	Body Assy, w/jet
11	S1-5	Plug, vapor outlet
12	NSS*	Seat, Primary Reg Mod J
13	NSS*	Gasket, body Plate Mod J
14	P2-26	Plate, Converter Body for Mod J
15	P3-13	Plug, 1/8 NPT, hex head
16	S2-36	Spring, Primary Reg Model J
17	NSS*	Primary valve pin
18	NSS*	Diaphragm Assy, Primary
19	C1-93	Cover, Primary
20	NSS	Screw, 8-32 x 7/8" Slot style (7)

NSS = Not Serviced Separately

* Included in [repair kit](#)





STANDARD AND OPTIONAL EQUIPMENT

PRIMER

PART#	DESCRIPTION
AB1-28	Mechanical Primer, Early Primer Models Only
SV	Start assist valve

REPAIR KITS

PART#	DESCRIPTION
RK-J	Repair Kit Model J, Hydrin Diaphragm
RK-J-2	Repair Kit Model J, w/Silicone Diaphragm
RK-J-200	Repair Kit Model J, for Towmotor
RK-J-3	Repair Kit Model J w/Fluorosilicone Diaphragm
RK-J-632	Standard RK-J For Clark
RK-J-71	Repair Kit Model J, for Toyota
RK-J-837	Repair Kit Model J, for Hyster
RK-J-895	Repair Kit Model J, for Allis Chalmers
RK-J-C	Repair Kit For Mod J w/Check Valve (JB-C-725)
RK-J-C-3	Repair Kit Model J w/Check Valve & Fluorosilicone Dia
RK-JC-734	Repair Kit For JO-C/Clark w/Check Valve